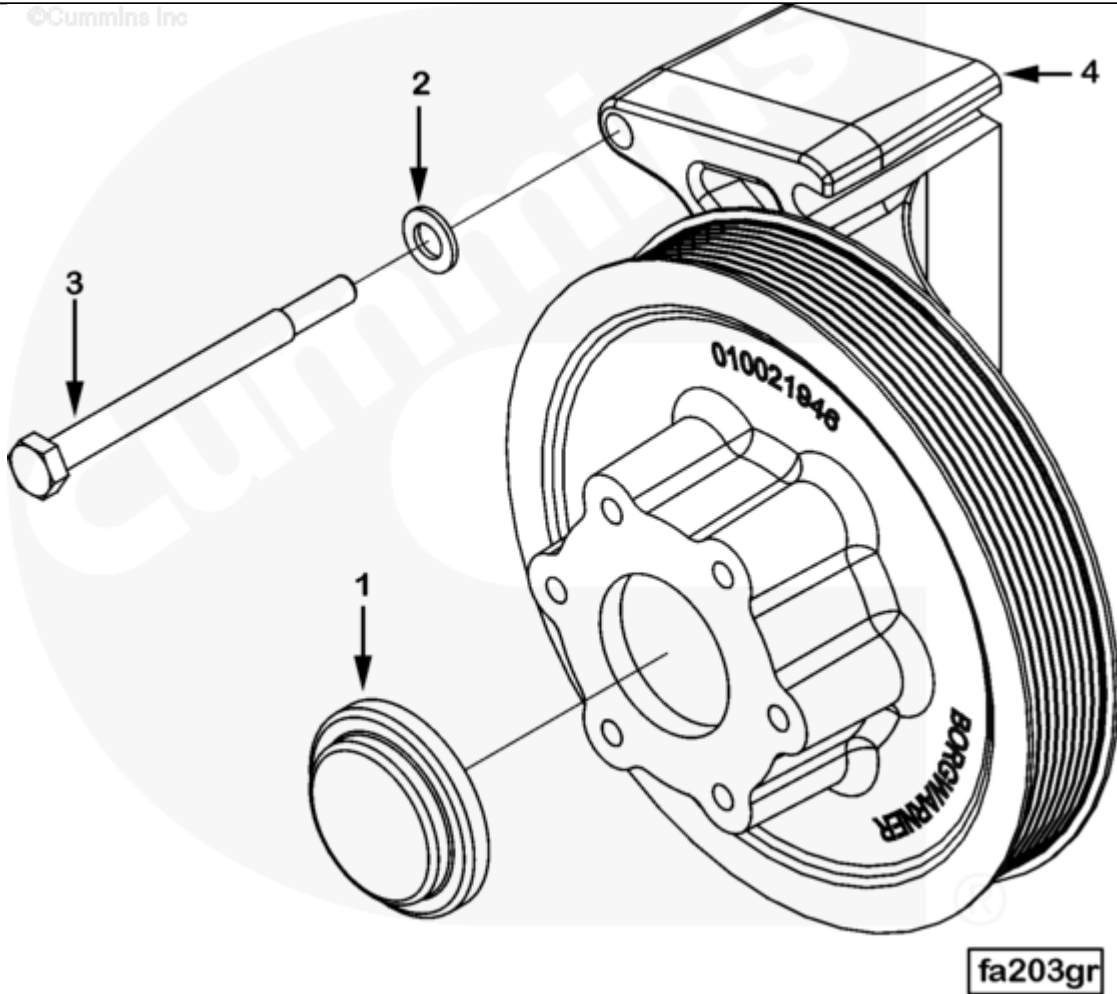




Parts Catalog - Option Detail

Electronic Parts Catalog - Option Detail				
Option	Group	Graphic	Film Card	Date
FA2288-03	08.03	fa203gr	II	07-APR-08
Engines	ISM CM570, ISM CM570/870, ISM CM875, ISM CM876, ISM CM876 E, ISM11 CM876 M103, ISM11 CM876 SN, M11 CELECT, M11 CELECT PLUS, M11 MECHANICAL, QSM11 CM570, QSM11 CM876			



SMALL | MEDIUM | LARGE

Cart	Ref No	Part Number	Part Description	Required	Remarks
View My Cart					
		FA2288-03	Fan Drive		
					Fan Drive
					Fan Drive: Serpentine
					Alternator/Fan Drive

					Fan Hub Type: Continuous
					Drive
					Fan Center Distance: 215.9mm
					(8.50 in.) Offset 19mm (0.75
					inch) Toward the Fuel Pump
					Side of the Engine Centerline
					Fan Drive Ratio: 1.00:1
					Fan Pulley Diameter: 190.0mm
					(7.48 in.)
					Fan Pulley Bolt Circle Dia.:
					88.90mm (3.5 in.)
					Pulley Groove Location:
					140.0mm (5.51 in.)
					Pulley Groove Type: Poly V 8
					Rib "K"
					Max Fan Torque Capability:
					195.552 Nm (144 lb.ft)
					Fan Mtg Nomenclature: 3/8-16
					UNC 2B
					Cummins Supplied Items:
					Automatic Tensioner Fan Belt
					Horton/Kysor Fixed Fan Hub
					Pilot Diameter: 50.80mm
					(2 in.)
<input type="checkbox"/>	1	4023035	Pilot Adapter	1	
<input type="checkbox"/>	2	3009330	Plain Washer	3	M10.
<input type="checkbox"/>	3	3017502	Hexagon Head Cap Screw	3	M10 X 1.50 X 120.
<input type="checkbox"/>	4	3103513	Fan Hub	1	

